



R4-EM 9 Series Electromechanical Rotary Lock

Concealed cam

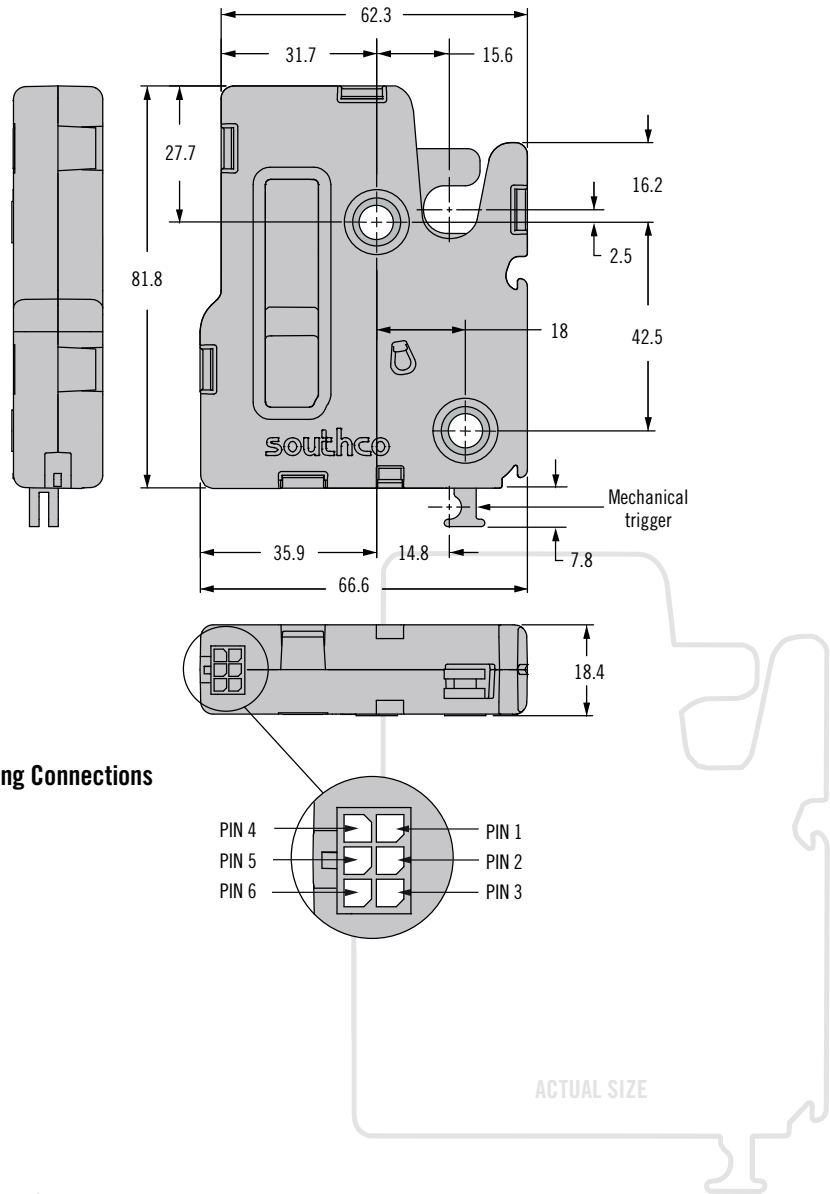
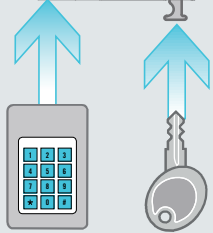
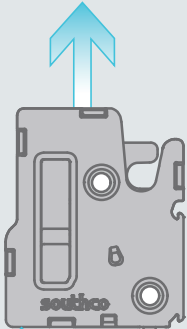
Electronic access with internal motor control

- Push-to-close, electronic release
- High electromechanical release load
- Minimal power draw
- Integrated connector
- Extended housing option for added security
- Door and trigger sensor
- Microswitch to detect latch status
- Mechanical over-ride with integrated cable bracket
- 12V to 24V operations
- Efficient DC gear motor actuation
- Detent mechanism for pull-open function
- Simple two-hole installation



12V

24V



Latch Wiring Connections

Part Number Selection

R4 - EM - 9 T B - 150 - P

T Trigger Styles

- A** Auto relock, rear trigger, with kick-out spring
- D** Delayed relock, rear trigger, with kick-out spring
- P** Delayed relock, rear trigger, pull to open

B Base Mounting Style

- 1** 1/4 - 20 thread
- 2** M6 thread
- 3** Ø 7.0 thru hole

P Packaging Options

- None** Individually packaged
- 1** Bulk packaged

Other options available. For complete details on variety, part numbers, installation and specification, go to



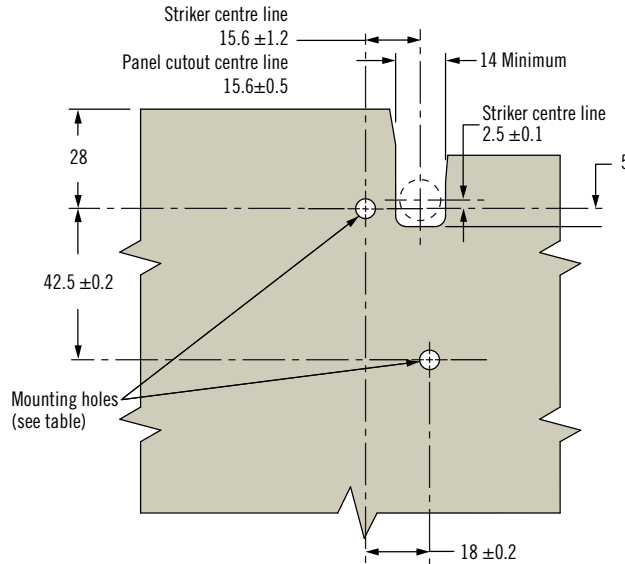
www.southco.com/R4-EM

Dimensions in millimeters unless otherwise stated

Installation

Panel Preparation

Base Mounting Style	Recommended minimum mounting hole
1/4-20 thread	Ø 7.2
M6 thread	Ø 6.9
Thru hole	Ø 7.6



Operation

See page 34 for operating instructions

Accessories

Striker Bolt or Cast Striker

See page 35



Cable Mounting Kit

See page 35



Material & Finish

Top and Bottom housings:

PC/ABS

Pivot Pins: Steel, zinc plated

Cam, Trigger: Steel, sealed

Springs: Stainless steel passivated

Trigger Interlock Lever: Glass-filled nylon

Bistable Spring Retainer: Zinc Alloy

Drive Cam: Acetal, black

Output Cam: Acetal, white

Electrical Specifications

Recommended Operating Voltage:

12 to 24 VDC

Typical Operating Current :

12 V Models: Less than 500mA

Latch Connector

Pin Assignment

PIN 1: Ground (-)

PIN 2: Power (+)

PIN 3: Control Signal

PIN 4: Latch Status

PIN 5: None

PIN 6: Door status

Electronic Actuators

See page 42



Mechanical Actuators

See page 36



Cables

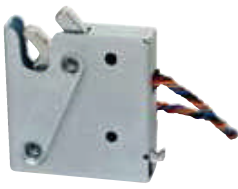
See page 272



Wiring/Junctions

See www.southco.com



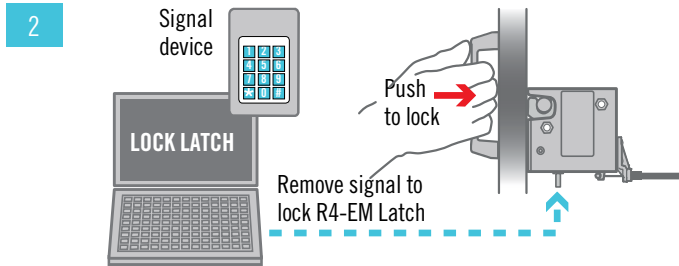
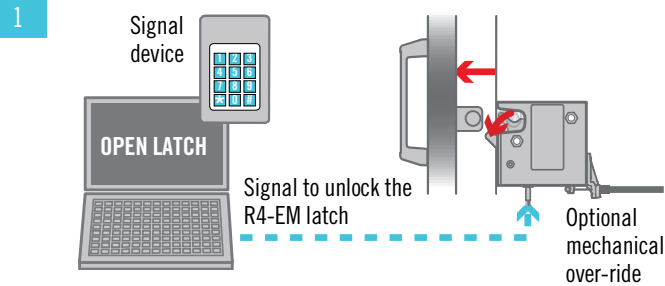


R4-EM Electronic Rotary Latch

Operating instructions

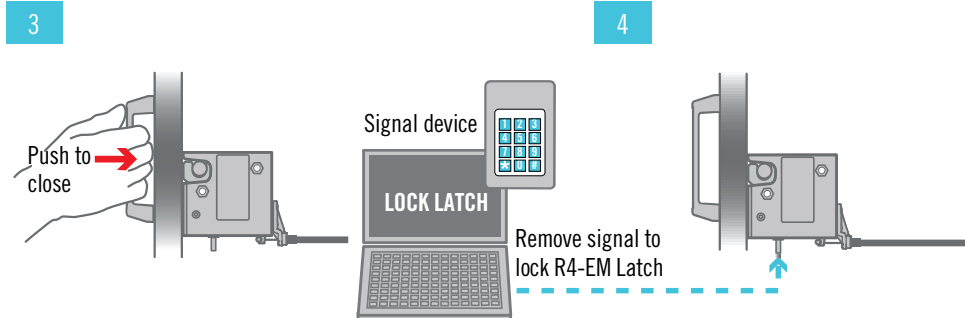
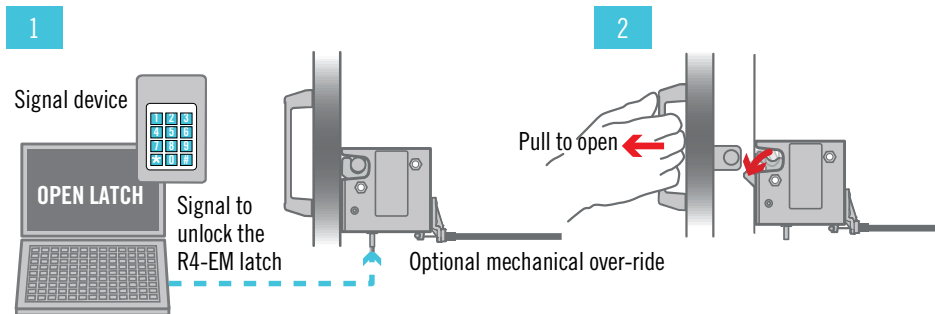
Operation - Auto relock

1. The signal unlocks the R4-EM latch and releases the spring loaded cam which rotates out to push a lightweight door open. The mechanism will cycle through unlatched then relatched state automatically, regardless of input signal on time.
2. Push door closed to engage striker after unlock time has expired. Striker will rotate cam to closed position.



Operation - Delayed relock

1. The signal unlocks the R4-EM latch leaving a biased closed door in the closed position. The unlock time is controlled by the access control device.
2. Manually pull door/striker free from R4-EM latch.
3. Manually push door closed. Striker will rotate cam to closed position, however latch will remain unlocked and can be re-opened as long as signal is present.
4. After accessing the door, the signal can be removed to re-lock the R4-EM. This can be done with the door in the open or closed position.



Other options available. For complete details on variety, part numbers, installation and specification, go to



www.southco.com/R4-EM

Dimensions in millimeters unless otherwise stated

southco[®]
CONNECT · CREATE · INNOVATE

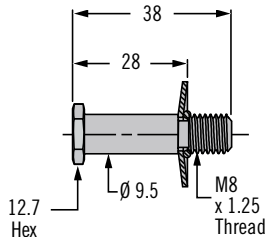
R4-EM Electronic Rotary Latch

Strikers - Cable mounting kits



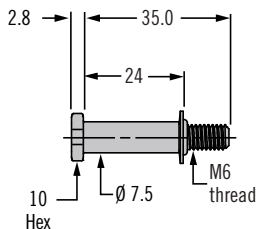
Striker Bolt - Large

Part number R4-90-121-10



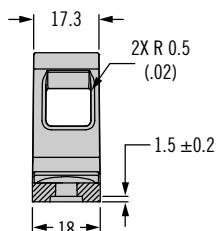
Striker Bolt - Small

Part number R4-90-511-10



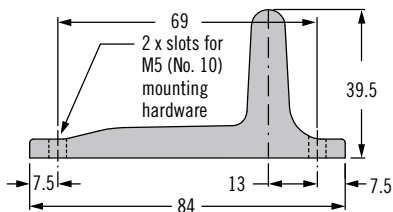
Cast Striker with Door Sensor

Part number R4-90-804-10*



Cast Striker without Door Sensor

Part number R4-90-800-10*



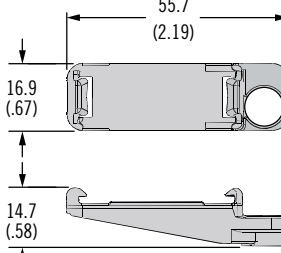
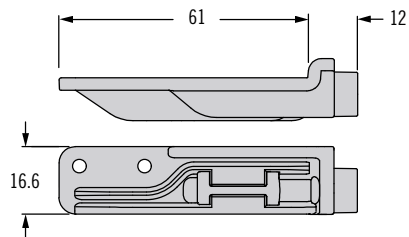
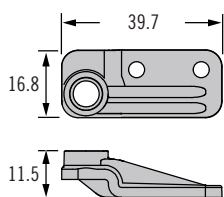
Cable Mounting Kit

Part number R4-EM-52 – Rivets included

Part number R4-EM-72 – Screws included

Part number R4-EM-87 – Rivets included

Part number R4-EM-952



	Striker Bolt		Cast Striker		Cable Mounting Kit			
	R4-90-121-10	R4-90-511-10	R4-90-800-10	R4-90-804-10	R4-EM-52	R4-EM-72	R4-EM-87	R4-EM-952
R4-EM-9	✓		✓	✓				✓
R4-EM-8	✓		✓	✓				
R4-EM-5 & 7	✓		✓		✓		✓	
R4-EM-4 & 6		✓				✓		
R4-EM-1 & 2	✓		✓		✓		✓	

Material and Finish

Striker bolts: Steel, zinc plated

Cast strikers: Zinc alloy

Cable mounting kits: Glass-filled nylon, black

***Note:** Latch and striker installation details can be found on the latch trade drawing at www.southco.com.