

BILLOWS™ ISOPROPYL ALCOHOL HAND SANITIZER

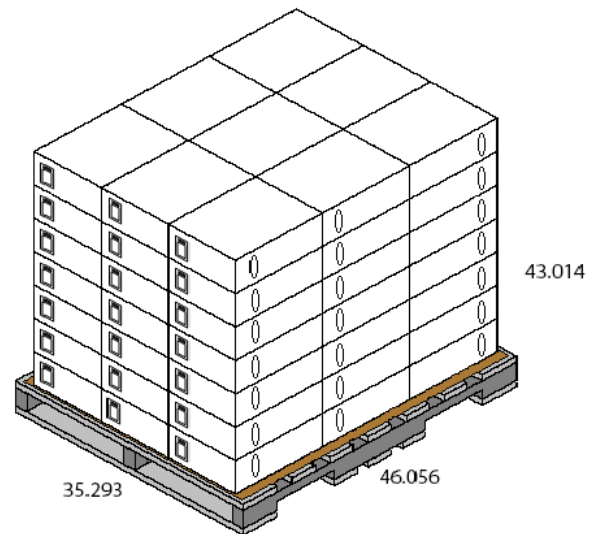
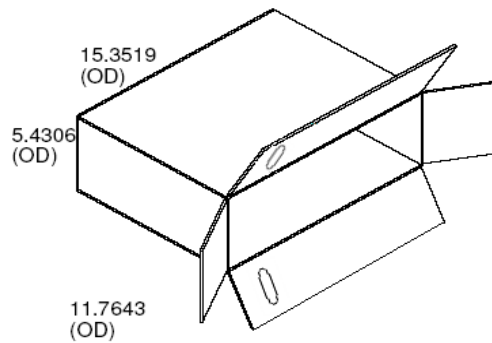


MEDICINAL INGREDIENT: Isopropyl Alcohol 72% v/v

NON MEDICINAL INGREDIENTS: Water (Aqua), Glycerin, Hydrogen Peroxide

BOX SIZE (OD)

	in	cm
Ln:	15.3519	38.9938
Wd:	5.4306	13.7937
Ht:	11.7643	29.8813



BILLOWS™
HAND SANITIZER LIQUID
DÉSINFECTANTS POUR LES MAINS LIQUIDE

12 L (3.17 US/ÉU GAL)

LOT: 2001230413
 EXP: 2021-04

NPN 80098663



BOX WEIGHT: 27 lbs/ 12.25 kg